

不锈钢干燥机 Stainless Hopper Dryers

THD

● 特点 Features

- 采用双层不锈钢材质制成, 保温效果极好, 节省能源。
- 配备入料口盖, 方便吸料机的安装。
- 采用“热风下吹式”和“空气旋风排气”原理, 保证干燥效果均匀统一。
- 可调式过热安全保护装置。
- 标准外接式绝缘主电源。
- 桶体机座设计有视料窗, 可直接观察内部工作情况。
- 具有超温过载等安全保护装置。
- 各机种配定时装置

- Double – layer stainless steel hopper dryer features with superior temperature keeping to improve energy saving greatly.
- The material inlet lid of hopper is equipped for easy installation of auto loader.
- Drying under the principle of hot air down– blowing and cyclone air exhausting result in consistent drying effects evenly.
- Adjustable overheat safety thermostat.
- Main power isolator externally installed as standard.
- Hopper barrel is fitted with see–through windows to observe inside material level.
- Safety device with overheat and overload protection.
- 24 hours auto start/stop timers as standard.

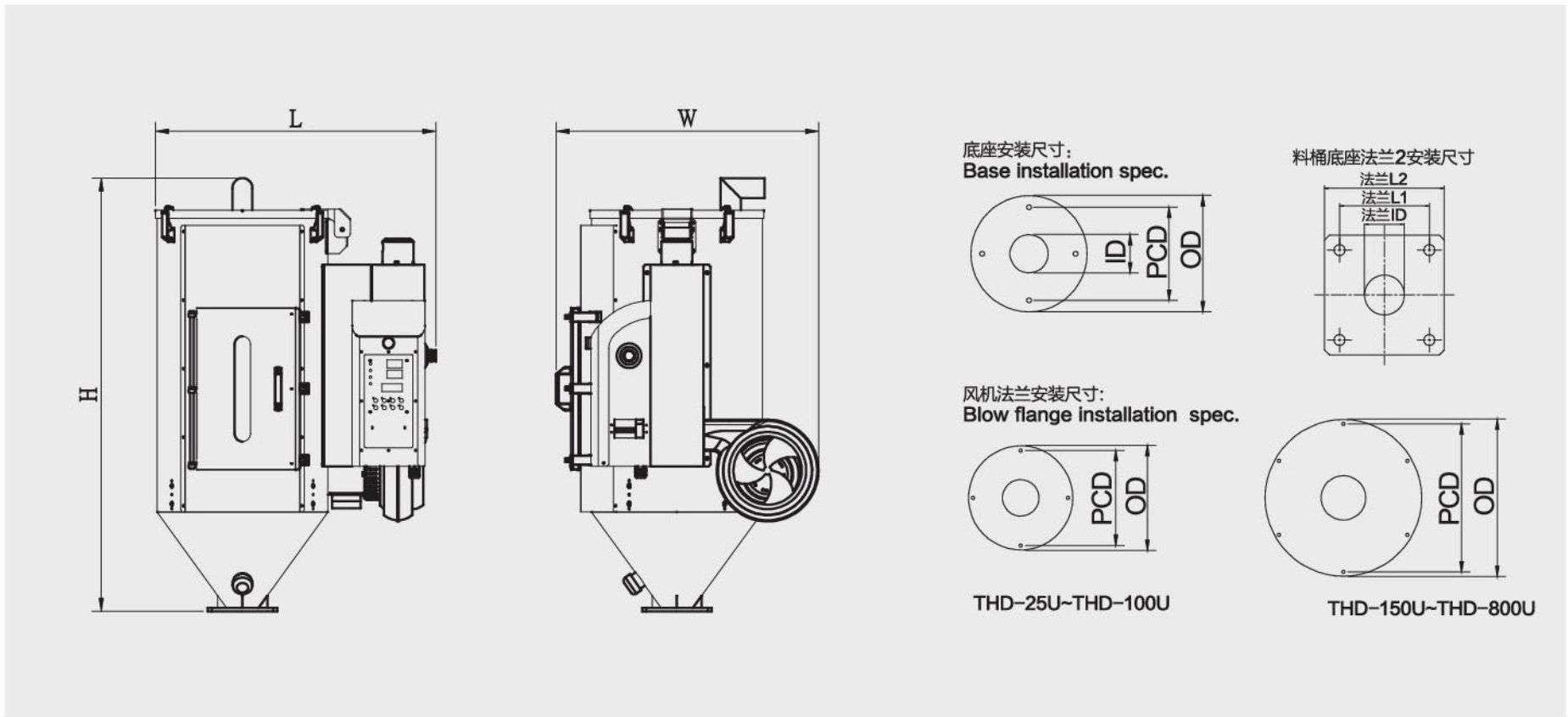


一体成型设计且桶身内外采特殊抛光处理。采用“热风下吹式”和“空气旋风排气”原理, 能保证干燥效果均匀统一。不锈钢材质, 确保原料不受污染, 特别适用于光学级产品。

Stainless and polished one–unit design ensures material free from contamination. It adapts "Hot Air Down–Blowing" and "Cyclonic Air Exhausting" principle to ensure uniform dry efficiency. All these models are particularly for optics.

● 选择加装配件 Options

1、	磁力底座	Magnetic Seats
2、	料斗磁石磁力架	Hopper Magnet
3、	热风回收过滤器	Hot Air Recyclers
4、	排风过滤器	Exhaust Air Filters
5、	吸料箱	Material suction boxes
6、	脚架	Floor Stand



● 规格表 Specification Sheet

产品型号Model		THD-6DT	THD-12DT	THD-25DT	THD-50DT	THD-75DT	THD-100DT	THD-150DT	THD-200DT	THD-300DT	THD-400DT	THD-500DT	THD-600DT	THD-800DT	THD-1000DT	THD-1500DT	THD-2000DT	THD-2400DT	
料筒容量Hopper Capacity	KG	6	12	25	50	75	100	150	200	300	400	500	600	800	1000	1500	2000	2400	
风机功率Blower Power	W	75	75	135	155	210	215	320	320	340	340	340	1000	1500	1500	2200	2200	3700	
电热功率Heater Power	KW	0.9	1.8	3.0	4.0	4.0	6.0	9.0	12.0	15.0	18.0	21.0	21.0	24.0	32.0	48.0	48.0	32.0	
干燥温度Drying Temp	℃	150℃ (150℃~180℃选配 Option)																	
出口口径Outlet Size	inch	1.5	1.5	1.5	2	2	2.5	2.5	2.5	3	3	3	4	4	5	5	5	6	
内桶直径Inside Hopper	M	0.21	0.25	0.287	0.387	0.422	0.457	0.512	0.607	0.67	0.76	0.856	0.9	0.9	1	1.2	1.2	1.4	
外桶直径Outside Hopper	M	0.253	0.293	0.33	0.43	0.465	0.5	0.595	0.69	0.754	0.844	0.94	0.985	0.944	1.05	1.25	1.25	1.5	
法兰ID直径Flange ID Dia	M	0.04	0.04	0.05	0.05	0.065	0.065	0.065	0.0762	0.1	0.1	0.1	0.1	0.11	0.11	0.11	0.11	0.1	
法兰PCD直径Flange PCD Dia	M	0.09	0.06	0.125× 0.125	0.13× 0.13	0.13× 0.13	0.13× 0.13	0.13× 0.13	0.13× 0.13	0.15× 0.2	0.21× 0.25	0.21× 0.25	0.2	0.2	0.2	0.2	0.2	0.21× 0.25	
法兰OD直径Flange OD Dia	M	0.12	0.12× 0.12	0.175× 0.175	0.175× 0.175	0.175× 0.175	0.175× 0.175	0.175× 0.175	0.175× 0.175	0.18× 0.245	0.18× 0.245	0.25× 0.3	0.25 0.3	0.23	0.23	0.23	0.23	0.25× 0.3	
风机PCD直径Blower PCD Dia	M	0.07	0.136	0.163			0.208	0.254					0.27						
0.风机OD直径Blower OD Dia	M	0.1	0.148	0.18			0.22	0.27					0.3						
系统电源Power Supply	V	380VAC 3P/PE 50Hz																	
控制电源Control Voltage	V	220VAC 1P/PE 50Hz																	
总功率Total Power	KW	1	2.1	3.4	4.4	4.4	6.4	9.5	12.5	15.5	18.5	21.5	22.5	25.5	33.8	50.5	50.6	36	
电源线规格Wires Specification	mm2	5×1.5			5×2.5	4×4+1×2.5			4×6+1×4				4×10+1×6			3×16 2×10	3×25+2×16		3×16 2×10
电源线长度Wires Length	M	5																	
外形尺寸Dimensions	L(mm)	0.49	0.525	0.605	0.715	0.74	0.8	0.95	1.05	1.14	1.26	1.36	1.49	1.86	1.35	1.55	1.55	2.18	
	W(mm)	0.36	0.36	0.57	0.66	0.67	0.69	0.85	0.9	0.91	0.98	1.05	1.1	1.25	1.05	1.25	1.25	1.62	
	H(mm)	0.55	0.65	0.88	1.09	1.26	1.385	1.55	1.64	1.76	1.86	2.02	2.57	2.75	2.5	2.8	3.3	4.11	
机器重量Weight	KG	30	30	47	63	65	95	130	155	186	225	260	280	320	380	500	580	650	
法兰ID2Flange Id2	M	0.04	0.04	0.05	0.05	0.05	0.063	0.063	0.076	0.1	0.1	0.101	0.101	0.101	0.101	0.010	0.010	0.010	
法兰L1 FlangeL1	M	0.09× 0.09	0.09× 0.09	0.13× 0.13	0.13× 0.13	0.13× 0.13	0.13× 0.13	0.13× 0.13	0.12× 0.141	0.12× 0.141	0.12× 0.141	0.21× 0.21	0.21× 0.21	0.21× 0.21	0.21× 0.21	0.21× 0.21	0.21× 0.21	0.21× 0.21	
法兰L2 FlangeL2	M	0.12× 0.12	0.12× 0.12	0.175× 0.175	0.175× 0.175	0.175× 0.175	0.175× 0.175	0.175× 0.175	0.175× 0.175	0.18× 0.18	0.18× 0.18	0.25× 0.25	0.25× 0.25	0.25× 0.25	0.25× 0.25	0.25× 0.25	0.25× 0.25	0.25× 0.25	
选配部件Optional Accessories		1.磁力底座Magnetic Seat 2.磁力架Hopper Magnet 3.热风回收过滤器Hot Air Recycler 4.排风过滤器Exhaust Air Filter 5.L型脚架L Type Floor Stands 6.A型脚架A Type Floor Stands 7.吸料箱Material Suction Box																	

注：产品规格若有变更，恕不另行通知。 We reserve right to change specifications without prior notice.