

# Product Accessories

## 产品配件

TS/G 通用型精密伺服注塑机 90T-470T

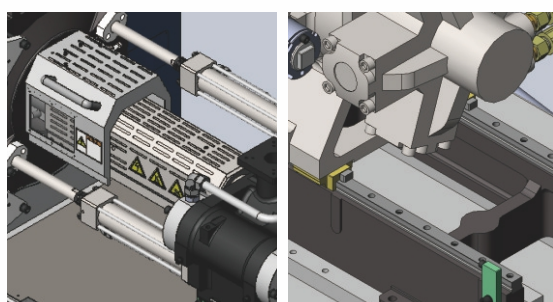
TS/G general-purpose precision servo-driven injection molding machine 90T-470T



先进的油路设计，搭配专业控制器，使得机器动作稳定、制品良率高、响应速度快、控制精准、操作简单，满足多种工艺需求。



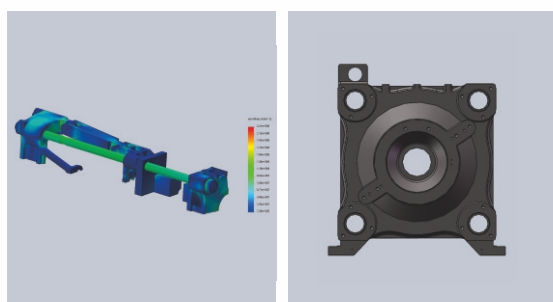
Advanced oil circuit design with professional controller makes the machine action stable, combined with high product yield, fast response time, precise control, easy operation, and meet a variety of process requirements.



采用斜排双射移油缸及线性导轨，射胶更加精准稳定。



Diagonal double injection mold shift oil cylinder and linear guide, more accurate and stable injection.



模板优化升级，结构可靠，变形小，能有效保护设备，提高模具使用寿命。



Optimized and upgraded platen, with reliable structure and small deformation, can effectively protect the equipment and improve the service life of mold.



标准螺杆：高性能氮化钢，耐用高效，应用广。

高混色/高混炼螺杆：满足高混色制品，易换色定制螺杆：不同制品特别定制塑化组件，如PC、PA等。



Standard screw: high performance nitride steel, durable and efficient, wide application High color mixing/high mixing screw: to meet the high color mixing products, easy to change color custom screw: specially customized plasticizing components for different products, such as PC, PA, etc.

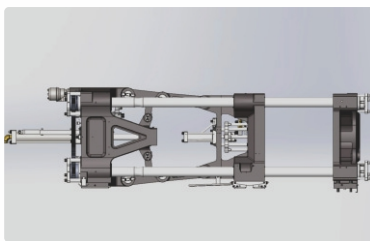
# Product Features

## 产品特点



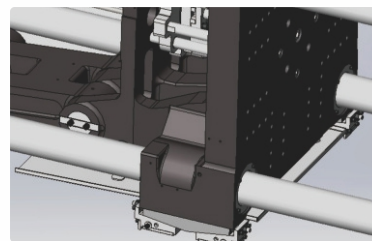
先进的射胶、锁模、油压系统设计，机器参数全面升级；

Advanced design of injection, mold clamping and oil pressure system, and comprehensive;



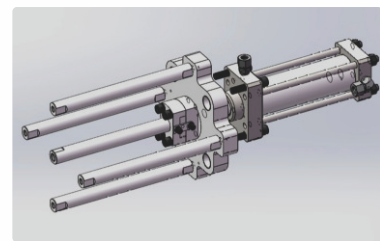
全新斜排机铰布局，可实现超长行程开模，开模位置精度<1mm，模板运动快且稳；

Brand new diagonal hinge layout, which can realize ultra-long stroke mold opening, mold opening position accuracy <1mm, fast and stable platen movement;



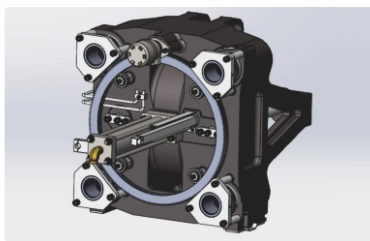
采用独特的双滑脚设计，模板平行度调节方便；

Unique double slider design, easy to adjust the parallelism of the platen;



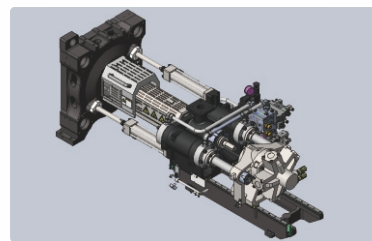
采用欧标顶针，顶针操作空间大；

European standard ejector pin, with large operation space;



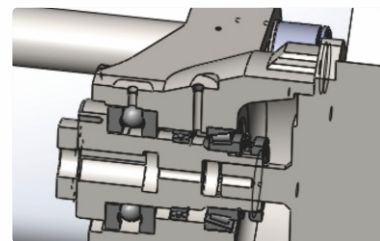
全新的调模机构，一键即可实现自动精准调模；

New mold adjustment mechanism, with one-key function available to realize automatic and accurate mold adjustment;



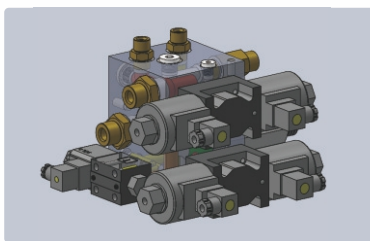
双射移搭配线性导轨，射台运动阻力小，动作灵敏，射胶精准稳定；

Double injection shift with linear guide, low resistance of injection unit movement, sensitive action, accurate and stable injection;



射胶传动轴采用三轴承设计，保证同轴度，螺杆料筒磨损小；

Three bearing design for the injection drive shaft to ensure coaxiality and small wear of the screw barrel;



油路系统全面升级，安全，稳定，功能全，差动锁模运行周期快；

Oil circuit system fully upgraded, safe, stable, full-featured, with fast operation cycle of differential clamping;



采用高端注塑机专业电脑控制器。

High-end injection molding machine professional computer controller.